

NOTICE

The purchaser agrees when purchasing this plan (the "Plan"):
 1) the purchaser has acquired the right to build or construct the object or project set out in the Plan for personal use only and not for any commercial use.
 2) reproduction of the Plan in whole or in part by any means whatsoever is strictly prohibited. The Handplan should not be liable for any willful misuse or negligent use of this plan, the Project or any tools used to construct the Project or for any loss or damage resulting therefrom.

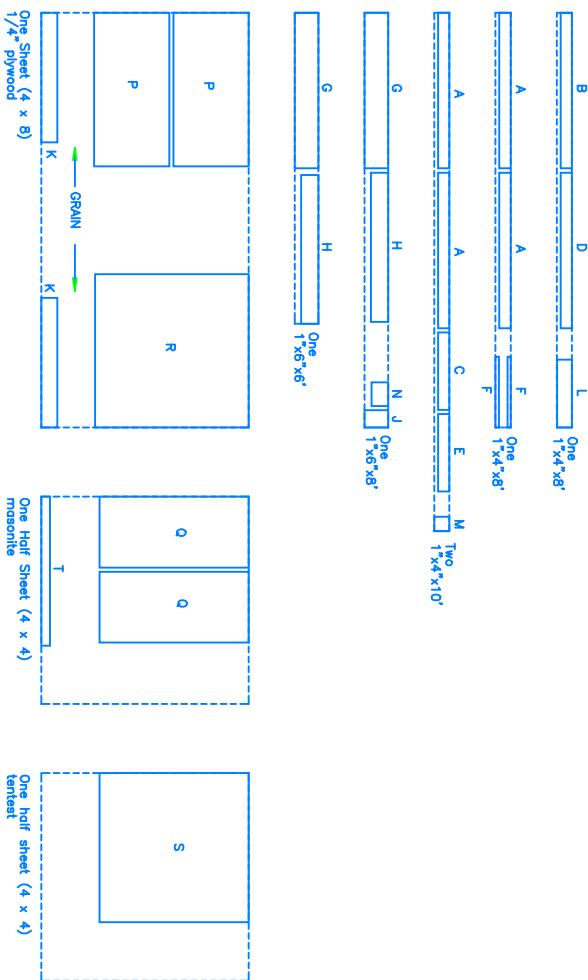
NOTES:

- Read all directions before beginning
- Carpenters Glue should be used to reinforce all joints
- Set all nails and countersink screws
- Dimensions in brackets denote millimeters

Directions

1) Lay out your material on the workbench, or on sawhorses, as outlined in the suggested material layout (Fig. 1). Draw out all parts exactly as illustrated in cutting diagram (Fig. 2), including the letter designations, in pencil. Ensure to leave a small space between cut lines to allow for the width of the saw. Before cutting, double check all measurements to ensure they are correct. Always cut on the waste side of the line. Cut off pieces L, F and M, leaving the rest of the 1x4's in one piece. Cut the rabbit joint (Fig. 3) the entire length of the boards before cutting 2 5/8" wide, then use either a table saw or router to cut the rabbit. Cut the miterers for these pieces as shown (Fig. 4 and 5) using a miter box or miter saw. The long side measurements are given.

OVER



MATERIALS LAYOUT
FIGURE 1

NOTE:

You may wish to substitute the fastest, or homoste with a section of carpet. If you select to do this, we suggest that you use a low pile carpet, such as indoor/outdoor, or commercial carpet. The low pile will allow you to install the door board on top of the carpet without any unnecessary complications, whereas a high pile may interfere with the installation of the board due to the thickness and softness of the carpet.



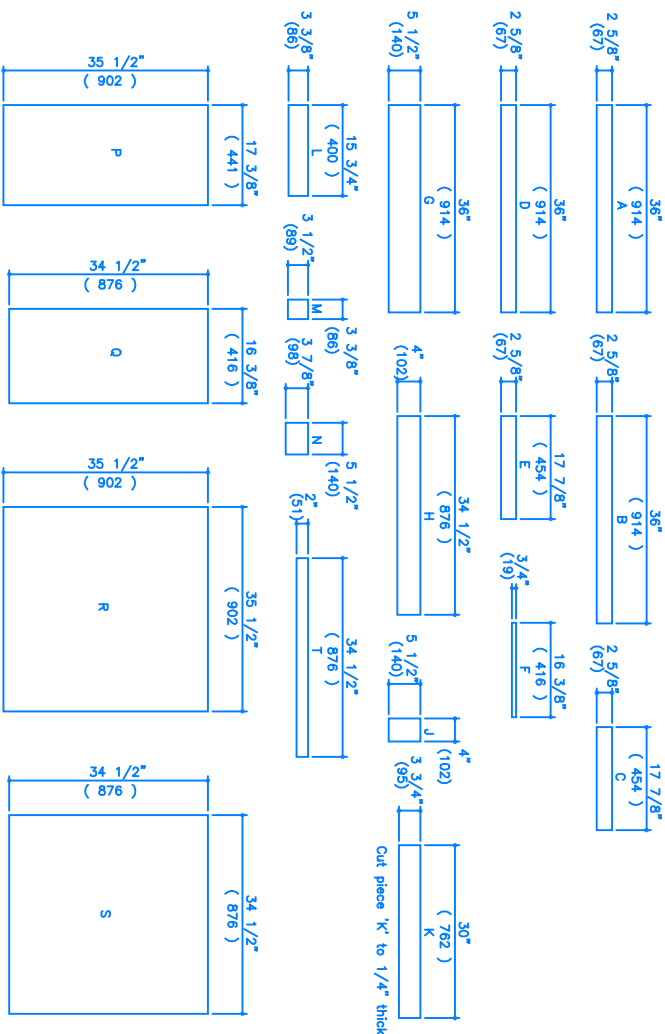
Detail of rabbit for pieces ABCD & E
FIGURE 3



Cut for pieces ABCD & E
FIGURE 4



Cut for pieces ABCD & E
FIGURE 5



CUTTING DIAGRAM
FIGURE 2

MATERIALS LIST

- One 4'-8 1/4" x 1'-4" sheet plywood G1S (AOB)
- One 4'-4 1/8" x 1'-8" sheet plywood G1S (AOB)
- One 4'-4 1/8" x 1'-2" sheet tenest (homoste)
- One 1'-4 3/8" x 1'-2" x 10'
- One 1'-4 3/8" x 1'-2" x 8'
- One 1'-6" x 6" (3/4" x 5 - 1/2" x 6')

MATERIALS LIST

- Approx. Ten 1" #8 finthead screws
- Approx. Ten 3" #8 finthead screws
- Approx. 1 1/2 lb. 1-1/4" finishing nails
- Approx. 1 1/2 lb. 1" finishing nails
- One 6" length of 1-1/2" piano hinge & screws

MATERIALS LIST

- Paint and stain, or oil
- Carpet
- Four wood buttons (optional)
- Two spring loaded door catches
- Sandpaper
- Wood putty